



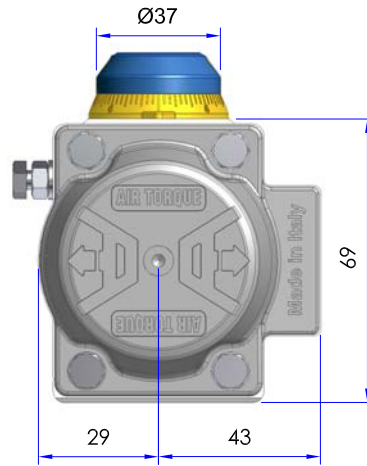
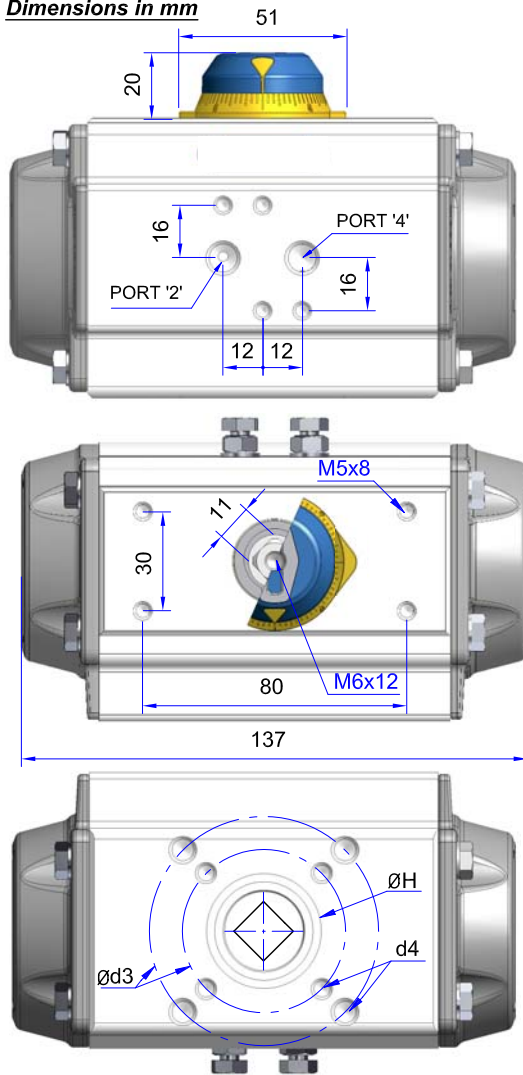
AIR TORQUE

AIR TORQUE S.p.A.
 via Alla Campagna, N° 1
 24060 Costa di Mezzate (Bg) Italy
 Tel.: +39 035 682299
 Fax: +39 035 687791
 E-mail: info@airtorque.it

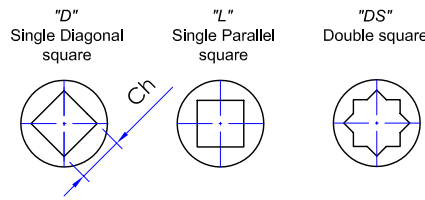
Model AT051 U
D/S - 90°

T.D.S. n° **AT051U-DM**
 Issued on: 10/09 - Page 1/1

Dimensions in mm

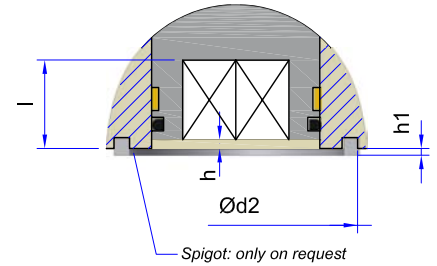


Optional Square:



ISO 5211 Flange Dimensions Available

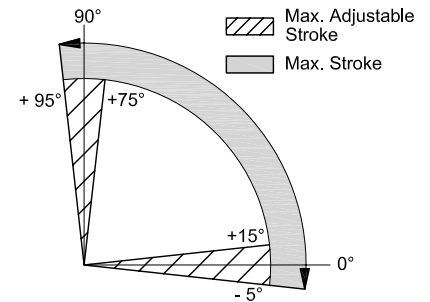
ISO 5211	STD	OPTIONAL	
	F04	F03	F05
Ø d2	30	25	NA
d3	42	36	50
Ø d4	M5x8	M5x8	M6x9
Ø H	30	25	
Ch x l	9x11 - 11x12		
min. DS	11x12		
h min.	0,5	0,5	0,5
h1	1,5	1,5	NA



Connection / Attachment

Pressure connection: Port 2 and 4	G1/8"
Ancillary Attachment	AA1

Rotation and stroke adjustment



Output Torque

Pressure	OUTPUT TORQUE FOR DOUBLE ACTING IN Nm												APPROX. WEIGHT (Kg)
	2,5 bar 0° 90°	3 bar 0° 90°	3,5 bar 0° 90°	4 bar 0° 90°	4,2 bar 0° 90°	4,5 bar 0° 90°	5 bar 0° 90°	5,5 bar 0° 90°	6 bar 0° 90°	7 bar 0° 90°	8 bar 0° 90°		
D	8,3	10	11,6	13,3	14	15	16,6	18,3	19,9	23,3	26,6	1,1	

Pressure	OUTPUT TORQUE FOR SPRING RETURN IN Nm												Spring stroke		APPROX. WEIGHT (Kg)												
	2,5 bar		3 bar		3,5 bar		4 bar		4,2 bar		4,5 bar		5 bar			5,5 bar		6 bar		7 bar		8 bar		90°	0°		
	Start	End	Start	End	Start	End	Start	End	Start	End	Start	End	Start	End		Start	End	Start	End	Start	End	Start	End				
S 1	5,0	3,0	7,0	4,7	8,0	6,3	10,0	8,0	9,4	8,3	11,7	9,6	13,3	11,3									5,3	3,3	1,12		
S 2	4,0	1,9	6,0	3,6	7,7	5,3	9,3	6,9	9,0	7,4	11,0	8,6	12,7	10,2	14,3	11,9									6,4	4	1,14
S 3			5,3	2,5	7,0	4,2	8,7	5,8	8,2	6,6	10,3	7,5	12,0	9,2	13,7	10,8	15,3	12,5							7,4	4,6	1,16
S 4					6,3	3,0	8,0	5,0	7,6	5,8	9,7	6,4	11,3	8,1	13,0	9,8	14,7	11,4	18,0	14,7					8,5	5,3	1,18
S 5							7,3	3,7	7,0	4,9	9,0	5,4	10,7	7,0	12,3	8,7	14,0	10,0	17,3	13,7	20,6	17,0			9,6	5,9	1,2
S 6											8,4	4,3	10,0	6,0	11,7	7,6	13,3	9,3	16,7	12,6	20,0	16,0			10,6	6,6	1,22
S 7													9,4	4,9	11,0	6,6	13,0	8,2	16,0	11,6	19,3	14,9			11,7	7,3	1,24
S 8															10,4	6,0	12,0	7,2	15,3	10,5	18,7	13,8			12,8	7,9	1,26

Technical Data

Max. Pressure	Rotation (For STD)	Screw stroke Adjustment	Chamber φ (mm)	Air Volume (L)		Moving Time (Sec.) (A)	
				Opening	Closing	Opening	Closing
8 bar	0° - 90°	For 1° adj. need 1/6 Turn	50	0,09	0,15	D 0,20 S 0,25	D 0,25 S 0,30

Operating Temperature Range Options

ST (standard)	Operating Temperature (°C) (B)	
	HT (high temperature)	LLT (Extreme low temperature)
-40 to +80	-15 to +150	-55 to +80

A) - The above indicated moving time of the actuator is obtained in the following test conditions: (1) Room Temperature, (2) Actuator Stroke 90°, (3) Solenoid Valve with Orifice of 4 mm and a flow capacity Qn 400 L/min., (4) Inside pipe diameter 8 mm, (5) Medium clean air, (6) Air supply pressure 5,5 bar (79,75 Psi), (7) Actuator without external resistance load. **Caution: obviously on the field applications when one or more of the above parameters are different, the moving time will be different.**

B) - Every temperature range option requires proper components and lubricant. See technical data-sheet N° T.D.S. U00501E.

Operating Medium:

The operating medium must be free of dust and oil. The maximum particle size must not exceed 30µ (ISO 8573 Part1, Class5). In order to prevent water condensation and/or solidification (ice when actuator works below 0°C), the operating medium must have a dew point equal to -20°C or at least 10°C below the ambient temperature (ISO 8573 Part1, Class3).