



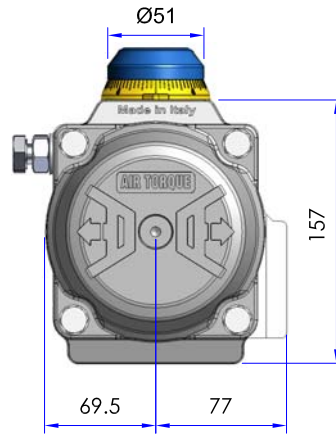
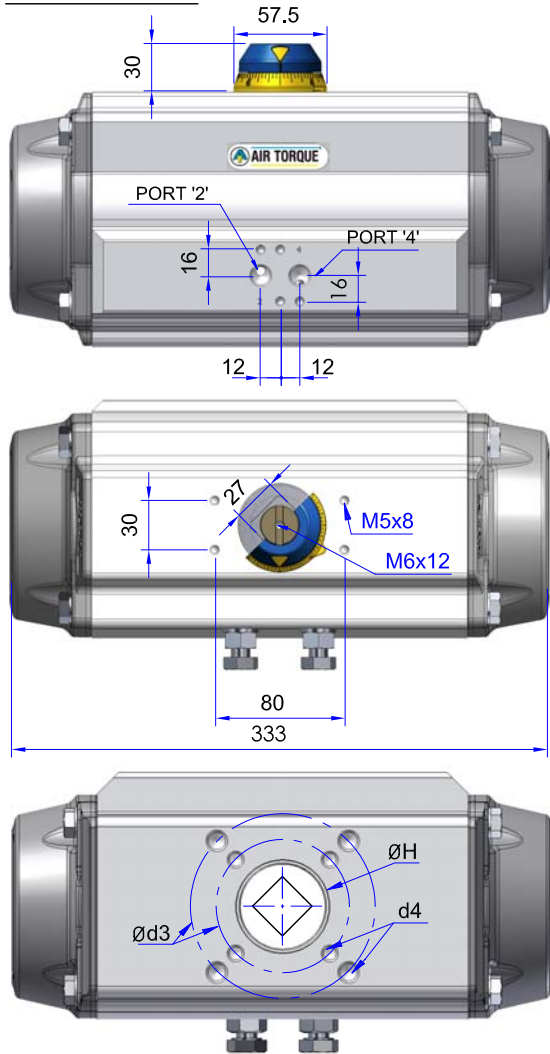
AIR TORQUE

AIR TORQUE S.p.A.
 via Alla Campagna, N° 1
 24060 Costa di Mezzate (Bg) Italy
 Tel.: +39 035 682299
 Fax: +39 035 687791
 E-mail: info@airtorque.it

Model AT401 U
D/S - 90°

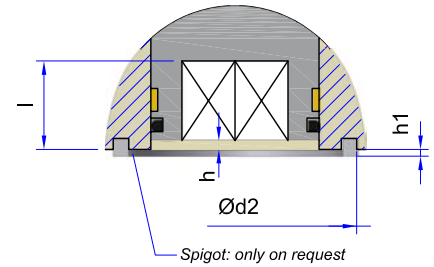
T.D.S. n° AT401U-DM
 Issued on: 10/09 - Page 1/1

Dimensions in mm



ISO 5211 Flange Dimensions Available

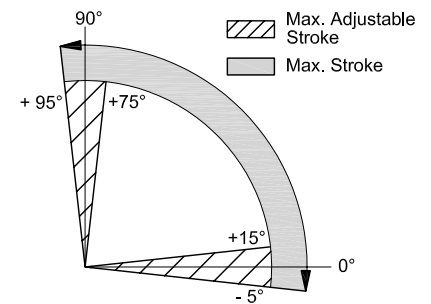
ISO 5211	STD		OPTIONAL
	F07 + F10	F10	
Ø d2	55	NA	70
d3	70	102	102
Ø d4	M8x12	M10x15	M10x15
Ø H	55		
Ch x l	17x25 - 22x24		
min. DS	22x35 - 27x29		
h min.	1,5	1,5	1,5
h1	2	NA	1,5



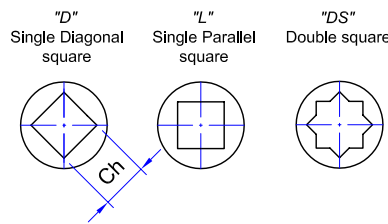
Connection / Attachment

Pressure connection: Port 2 and 4	G1/4"
Ancillary Attachment	AA2

Rotation and stroke adjustment



Optional Square:



Output Torque

Pressure	OUTPUT TORQUE FOR DOUBLE ACTING IN Nm												APPROX. WEIGHT (Kg)
	2,5 bar	3 bar	3,5 bar	4 bar	4,2 bar	4,5 bar	5 bar	5,5 bar	6 bar	7 bar	8 bar		
0° 90°	138	166	194	222	233	249	277	305	332	388	443	9,97	
D													

Pressure	OUTPUT TORQUE FOR SPRING RETURN IN Nm												Spring stroke	APPROX. WEIGHT (Kg)	
	2,5 bar	3 bar	3,5 bar	4 bar	4,2 bar	4,5 bar	5 bar	5,5 bar	6 bar	7 bar	8 bar				
	0° 90°	0° 90°	0° 90°	0° 90°	0° 90°	0° 90°	0° 90°	0° 90°	0° 90°	0° 90°	0° 90°				
Spring Set	Start End	Start End	Start End	Start End	Start End	Start End	Start End	Start End	Start End	Start End	Start End	Start End	Start End	Start End	
S 05	86 56,1	114 83,8	141 111	169 139	180 150	197 167	224 195							82,4 52,5	10,97
S 06	75,5 39,6	103 67,3	131 95	159 123	170 134	186 150	214 178	242 206						98,9 63	11,17
S 07		92,7 50,8	120 78,5	148 106	159 117	176 134	203 162	231 189	259 217					115 73,5	11,37
S 08			110 62	138 89,7	149 101	165 117	193 145	221 173	248 201	304 256				132 84	11,57
S 09				127 73,3	138 84,3	155 101	182 129	210 156	238 184	293 239	349 295			148 94,5	11,77
S 10						144 84,5	172 112	200 140	227 168	283 223	338 278	165 105			11,97
S 11							161 95,7	189 123	217 151	272 206	328 262	181 116			12,17
S 12								179 107	206 135	262 190	317 245	198 126			12,37

Technical Data

Max. Pressure	Rotation (For STD)	Screw stroke Adjustment	Chamber φ (mm)	Air Volume (L)		Moving Time (Sec.) (A)	
				Opening	Closing	Opening	Closing
8 bar	0° - 90°	For 1° adj. need 1/6 Turn	125	1,54	2,34	D 0,9 S 1,2	D 1,1 S 1,4

Operating Temperature Range

Operating Temperature (°C) (B)		
ST (standard)	HT (high temperature)	LLT (Extreme low temperature)
- 40 to + 80	- 15 to + 150	- 55 to + 80

A) - The above indicated moving time of the actuator is obtained in the following test conditions: (1) Room Temperature, (2) Actuator Stroke 90°, (3) Solenoid Valve with Orifice of 4 mm and a flow capacity Qn 400 L/min., (4) Inside pipe diameter 8 mm, (5) Medium clean air, (6) Air supply pressure 5,5 bar (79,75 Psi), (7) Actuator without external resistance load. **Caution: obviously on the field applications when one or more of the above parameters are different, the moving time will be different.**

B) - Every temperature range option requires proper components and lubricant. See technical data-sheet N° T.D.S. U00501E.

Operating Medium:

The operating medium must be free of dust and oil. The maximum particle size must not exceed 30µ (ISO 8573 Part1, Class5). In order to prevent water condensation and/or solidification (ice when actuator works below 0°C), the operating medium must have a dew point equal to -20°C or at least 10°C below the ambient temperature (ISO 8573 Part1, Class3).