



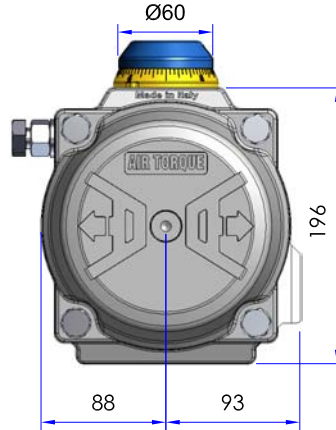
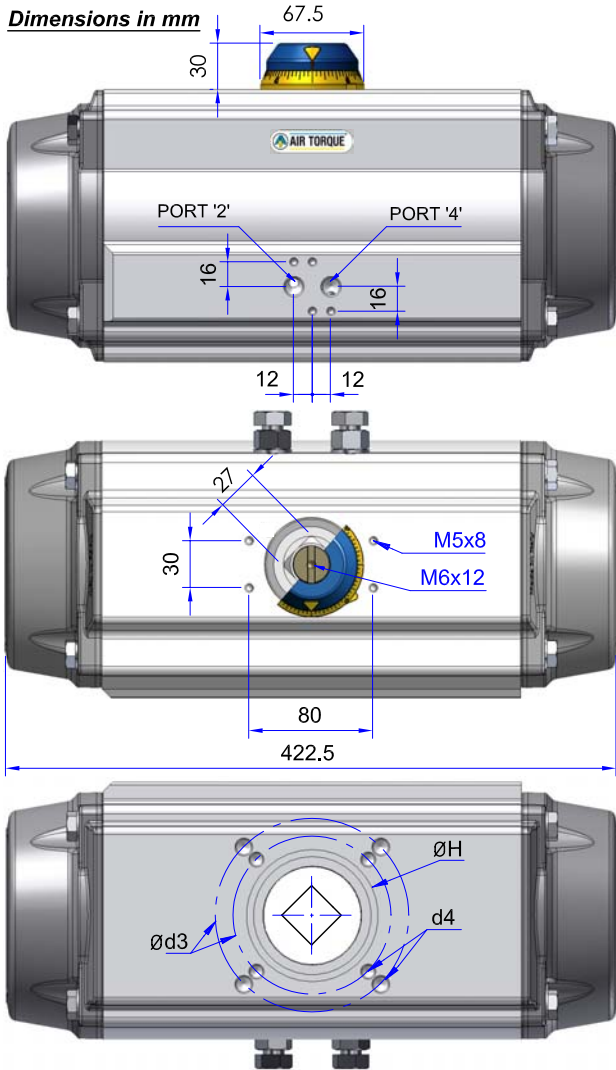
AIR TORQUE

AIR TORQUE S.p.A.
 via Alla Campagna, N° 1
 24060 Costa di Mezzate (Bg) Italy
 Tel.: +39 035 682299
 Fax: +39 035 687791
 E-mail: info@airtorque.it

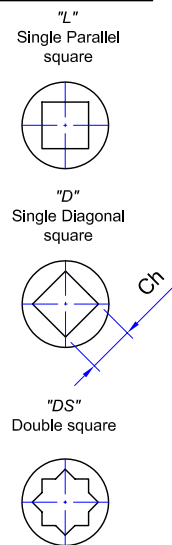
Model AT501 U
D/S - 90°

T.D.S. n° AT501U-DM
 Issued on: 10/09 - Page 1/1

Dimensions in mm

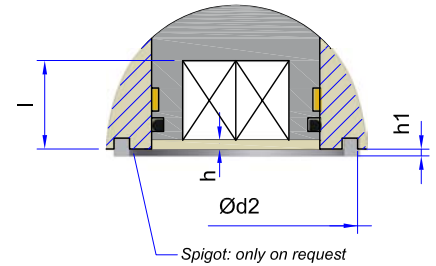


Optional Square:



ISO 5211 Flange Dimensions Available

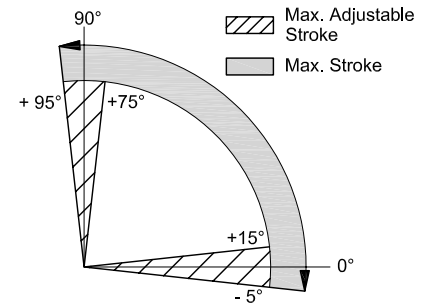
ISO 5211	STD		OPTIONAL
	F10 + F12	F12	F12
Ø d2	70	NA	85
d3	102	125	125
Ø d4	M10x15	M12x18	M12x18
Ø H	70		85
Ch x l	22x40 - 27x29		
min. DS	27x40		
h min.	1,5	1,5	1,5
h1	3	NA	1,5



Connection / Attachment

Pressure connection: Port 2 and 4	G1/4"
Ancillary Attachment	AA2

Rotation and stroke adjustment



Output Torque

Pressure	OUTPUT TORQUE FOR DOUBLE ACTING IN Nm												APPROX. WEIGHT (Kg)	
	2,5 bar 0° 90°	3 bar 0° 90°	3,5 bar 0° 90°	4 bar 0° 90°	4,2 bar 0° 90°	4,5 bar 0° 90°	5 bar 0° 90°	5,5 bar 0° 90°	6 bar 0° 90°	7 bar 0° 90°	8 bar 0° 90°	17,8		
D	284	340	397	454	477	511	567	624	681	794	908			

Pressure	OUTPUT TORQUE FOR SPRING RETURN IN Nm												Spring stroke		APPROX. WEIGHT (Kg)
	2,5 bar 0° 90°	3 bar 0° 90°	3,5 bar 0° 90°	4 bar 0° 90°	4,2 bar 0° 90°	4,5 bar 0° 90°	5 bar 0° 90°	5,5 bar 0° 90°	6 bar 0° 90°	7 bar 0° 90°	8 bar 0° 90°	90° 0°	0° 90°		
Spring Set	Start End	Start End	Start End	Start End	Start End	Start End	Start End	Start End	Start End	Start End	Start End	End Start	End Start		
S 05	171 118	228 174	285 231	342 288	364 310	398 344	455 401					166 112	19,3		
S 06	149 84,3	206 141	262 198	319 255	342 277	376 311	433 368	489 425				199 135	19,6		
S 07		183 108	240 165	297 221	319 244	353 278	410 335	467 391	524 448			233 157	19,9		
S 08			218 131	274 188	297 211	331 245	388 302	444 358	501 415	615 528		266 180	20,2		
S 09				252 155	275 178	309 212	365 268	422 325	479 382	592 495	706 609	299 202	20,5		
S 10						286 178	343 235	400 292	456 349	570 462	683 575	332 224	20,8		
S 11							320 202	377 259	434 315	547 429	661 542	365 247	21,1		
S 12								355 225	411 282	525 396	638 509	399 269	21,4		

Technical Data

Max. Pressure	Rotation (For STD)	Screw stroke Adjustment	Chamber Ø (mm)	Air Volume (L)		Moving Time (Sec.) (A)	
				Opening	Closing	Opening	Closing
8 bar	0° - 90°	For 1° adj. need 1/6 Turn	160	3,14	4,92	D 1,5 S 1,8	D 1,7 S 2,1

Operating Temperature Range

Operating Temperature (°C) (B)		
ST (standard)	HT (high temperature)	LLT (Extreme low temperature)
-40 to +80	-15 to +150	-55 to +80

A) - The above indicated moving time of the actuator is obtained in the following test conditions: (1) Room Temperature, (2) Actuator Stroke 90°, (3) Solenoid Valve with Orifice of 4 mm and a flow capacity Qn 400 L/min., (4) Inside pipe diameter 8 mm, (5) Medium clean air, (6) Air supply pressure 5,5 bar (79,75 Psi), (7) Actuator without external resistance load. **Caution: obviously on the field applications when one or more of the above parameters are different, the moving time will be different.**

B) - Every temperature range option requires proper components and lubricant. See technical data-sheet N° T.D.S. U00501E.

Operating Medium:

The operating medium must be free of dust and oil. The maximum particle size must not exceed 30µ (ISO 8573 Part1, Class5). In order to prevent water condensation and/or solidification (ice when actuator works below 0°C), the operating medium must have a dew point equal to -20°C or at least 10°C below the ambient temperature (ISO 8573 Part1, Class3).