



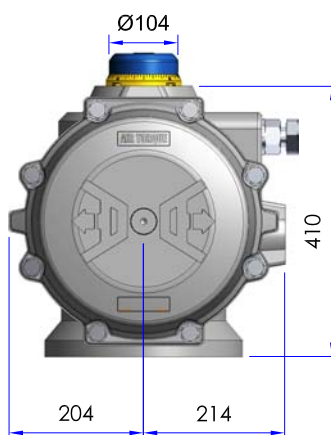
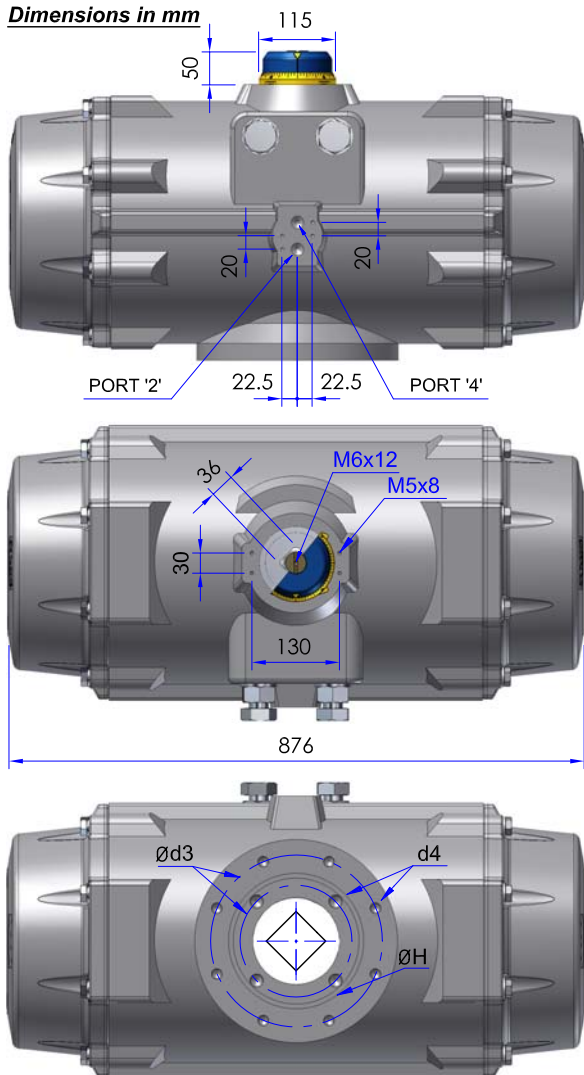
AIR TORQUE

AIR TORQUE S.p.A.
 via Alla Campagna, N° 1
 24060 Costa di Mezzate (Bg) Italy
 Tel.: +39 035 682299
 Fax: +39 035 687791
 E-mail: info@airtorque.it

Model AT801 U
D/S - 90°

TDS n° **AT801U-DM**
 Issued on: 10/09 - Page 1/1

Dimensions in mm

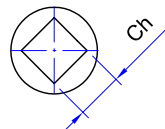


Optional Square:

"L" Single Parallel square



"D" Single Diagonal square

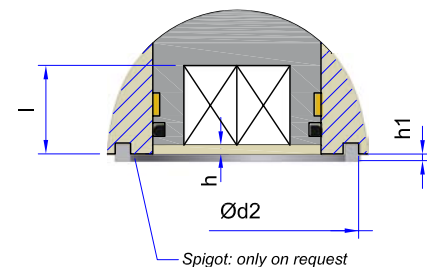


"DS" Double square



ISO 5211 Flange Dimensions

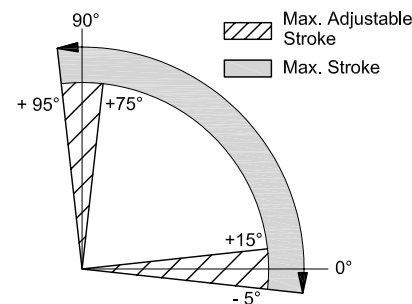
ISO 5211	STD	OPTIONAL	
	F16 + F25	F25	
Ø d2	NA	200	200
Ø d3	165	254	254
d4	M20x30	M16x24	M16x24
Ø H	130	200	200
Ch x l min.	D	55x57	
	DS	46x48 - 55x57	
h min.		2,5	2,5
h1		NA	3,5



Connection / Attachment

Pressure connection: Port 2 and 4	G1/2"
Ancillary Attachment	AA 4

Rotation and stroke adjustment



Output Torque

Pressure	OUTPUT TORQUE FOR DOUBLE ACTING IN Nm												APPROX. WEIGHT (Kg)
	2,5 bar	3 bar	3,5 bar	4 bar	4,2 bar	4,5 bar	5 bar	5,5 bar	6 bar	7 bar	8 bar		
D	2252	2703	3153	3604	3784	4054	4504	4955	5405	6306	7207	127	

Pressure	OUTPUT TORQUE FOR SPRING RETURN IN Nm												Spring stroke	APPROX. WEIGHT (Kg)
	2,5 bar	3 bar	3,5 bar	4 bar	4,2 bar	4,5 bar	5 bar	5,5 bar	6 bar	7 bar	8 bar			
Spring	0° 90°	0° 90°	0° 90°	0° 90°	0° 90°	0° 90°	0° 90°	0° 90°	0° 90°	0° 90°	0° 90°	90° 0°		
Set	Start End	Start End	Start End	Start End	Start End	Start End	Start End	Start End	Start End	Start End	Start End	Start End		
S 05	1332 1014	1783 1465	2233 1915	2684 2365	2864 2546	3134 2816	3585 3266					1238 920	144	
S 06	1149 767	1599 1217	2049 1667	2500 2118	2680 2298	2950 2568	3401 3019	3851 3469				1486 1104	147,5	
S 07		1415 969	1865 1420	2316 1870	2496 2050	2766 2321	3217 2771	3667 3222	4118 3672			1733 1288	151	
S 08			1682 1172	2132 1623	2312 1803	2582 2073	3033 2524	3483 2974	3934 3424	4835 4325		1981 1472	154,5	
S 09				1948 1375	2128 1555	2398 1825	2849 2276	3299 2726	3750 3177	4651 4078	5551 4978	2229 1656	158	
S 10						2215 1578	2665 2028	3115 2479	3566 2929	4467 3830	5368 4731	2476 1839	161,5	
S 11							2481 1781	2931 2231	3382 2682	4283 3582	5184 4483	2724 2023	165	
S 12								2748 1983	3198 2434	4099 3335	5000 4236	2971 2207	168,5	

Technical Data

Max. Pressure	Rotation	Screw stroke Adjustment	Chamber φ (mm)	Air Volume (L)		Moving Time (Sec.) (A)	
				Opening	Closing	Opening	Closing
7 bar	0° - 90°	For 1° adj. need 1/6 Turn	330	25	40	D 6,0 S 7,5	D 7,0 S 8,5

Operating Temperature Range

Operating Temperature (°C) (B)		
ST (standard)	HT (high temperature)	LLT (Extreme low temperature)
- 40 to + 80	- 15 to + 150	- 55 to + 80

A) - The above indicated moving time of the actuator is obtained in the following test conditions: (1) Room Temperature, (2) Actuator Stroke 90°, (3) Solenoid Valve with Orifice of 11 mm and a flow capacity Qn 6000 L/min., (4) Inside pipe diameter 11 mm, (5) Medium clean air, (6) Air supply pressure 5,5 bar (79,75 Psi), (7) Actuator without external resistance load. **Caution: obviously on the field applications when one or more of the above parameters are different, the moving time will be different.**

B) - Every temperature range option requires proper components and lubricant. See technical data-sheet N° T.D.S. U00501E.

Operating Medium:

The operating medium must be free of dust and oil. The maximum particle size must not exceed 30µ (ISO 8573 Part1, Class5). In order to prevent water condensation and/or solidification (ice when actuator works below 0°C), the operating medium must have a dew point equal to -20°C or at least 10°C below the ambient temperature (ISO 8573 Part1, Class3).